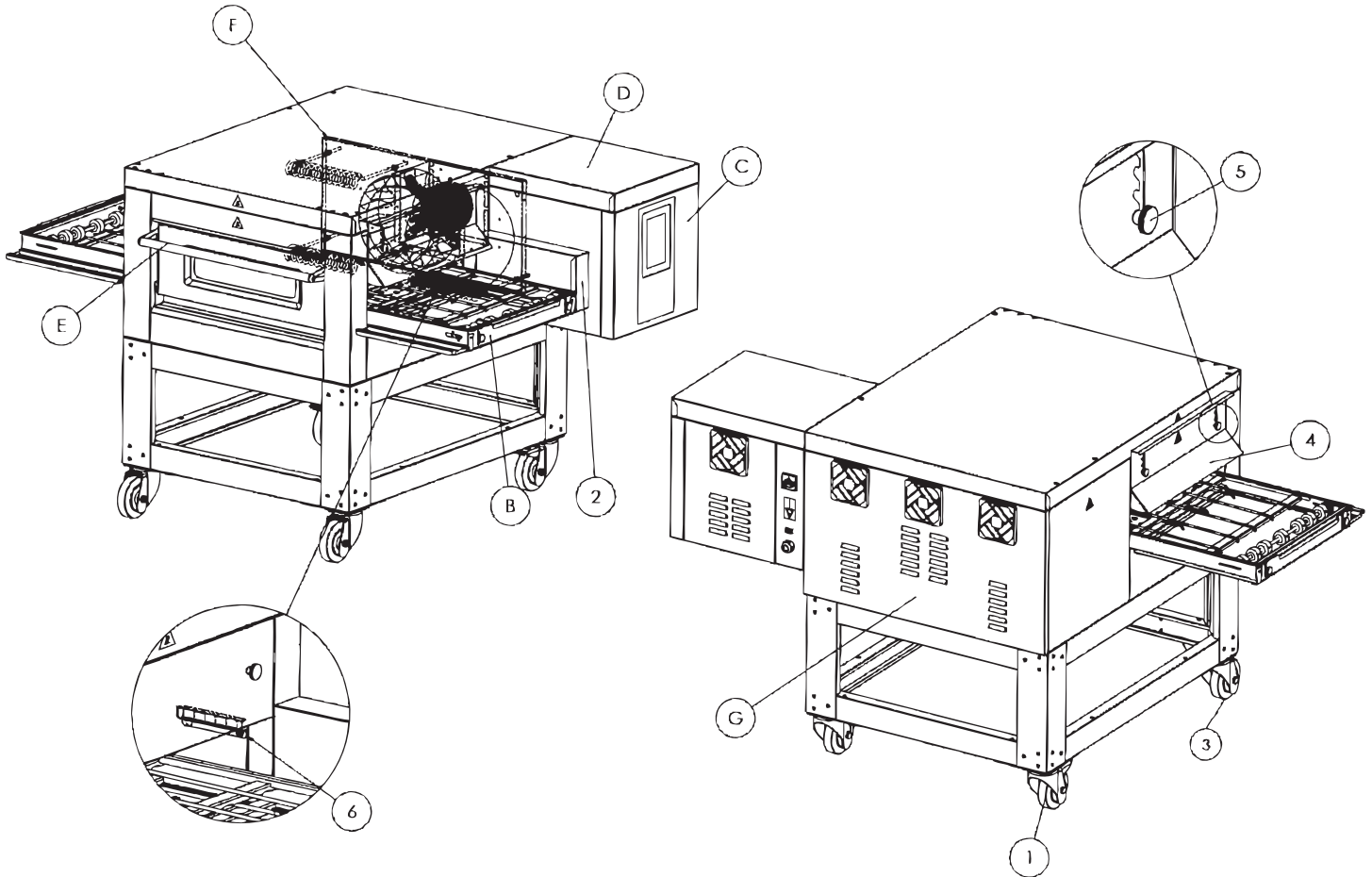


Parts Breakdown

Model CE-IT-0500 46725

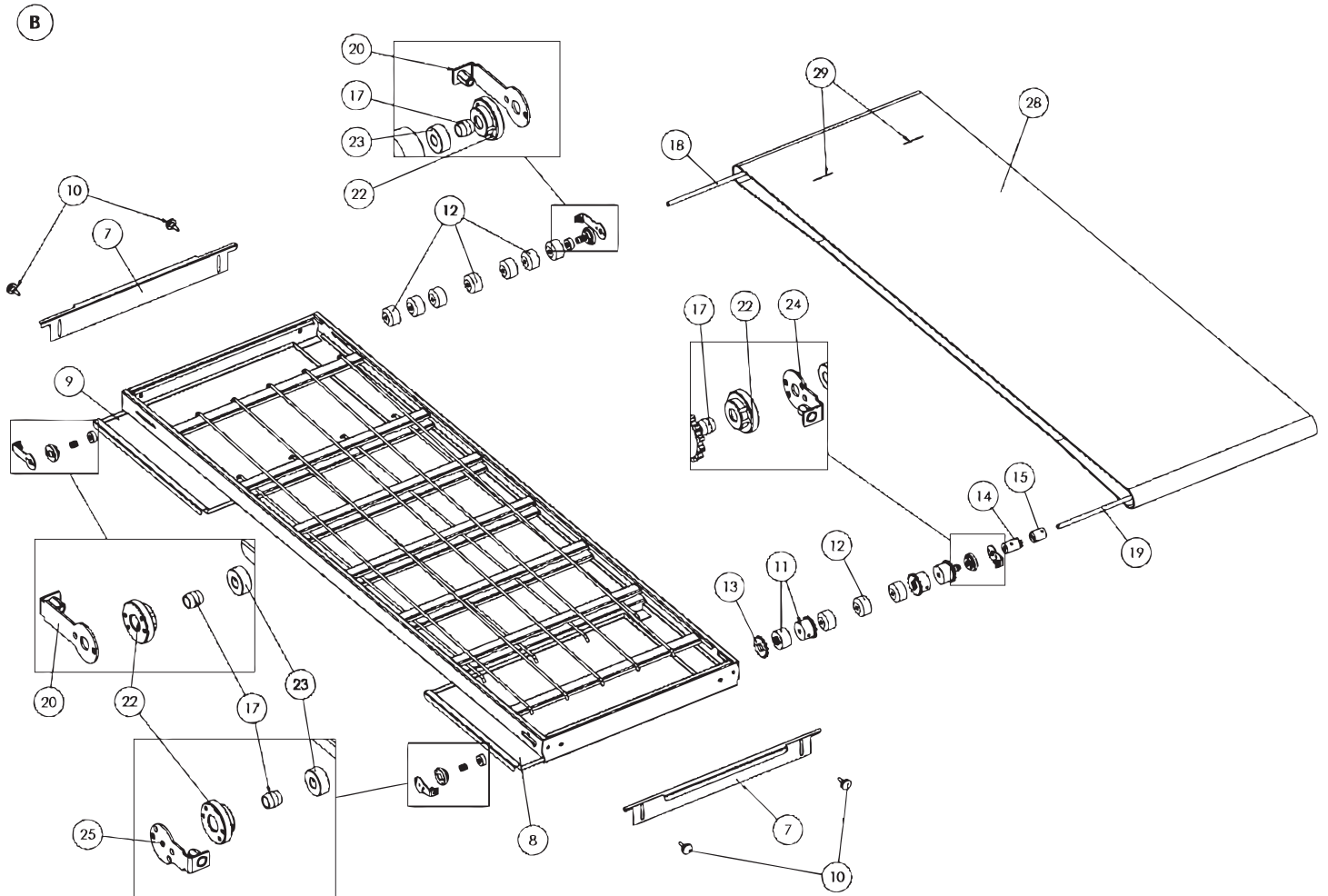
General Assembly



Parts Breakdown

Model CE-IT-0500 46725

Conveyor

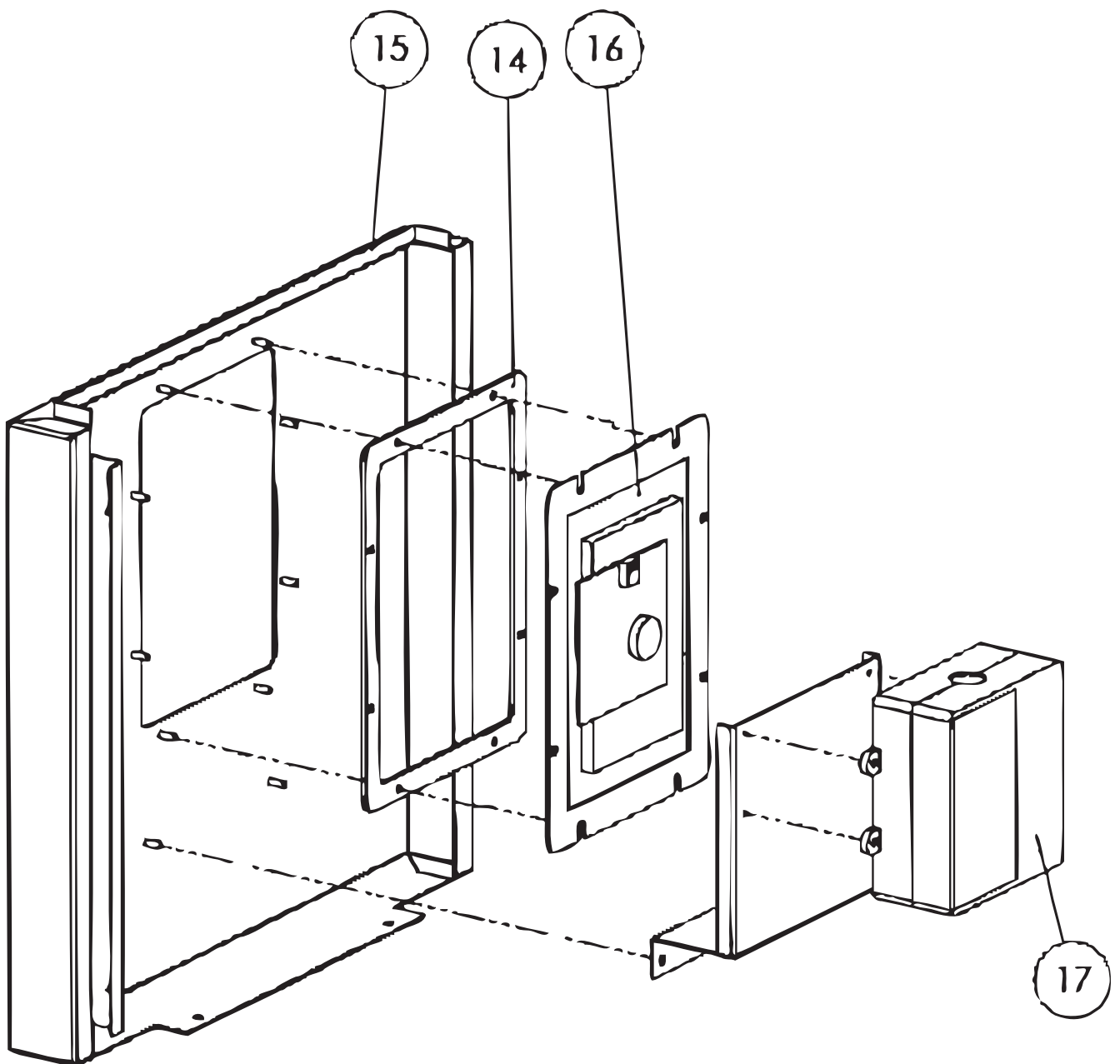


Parts Breakdown

Model CE-IT-0500 46725

Control Panel

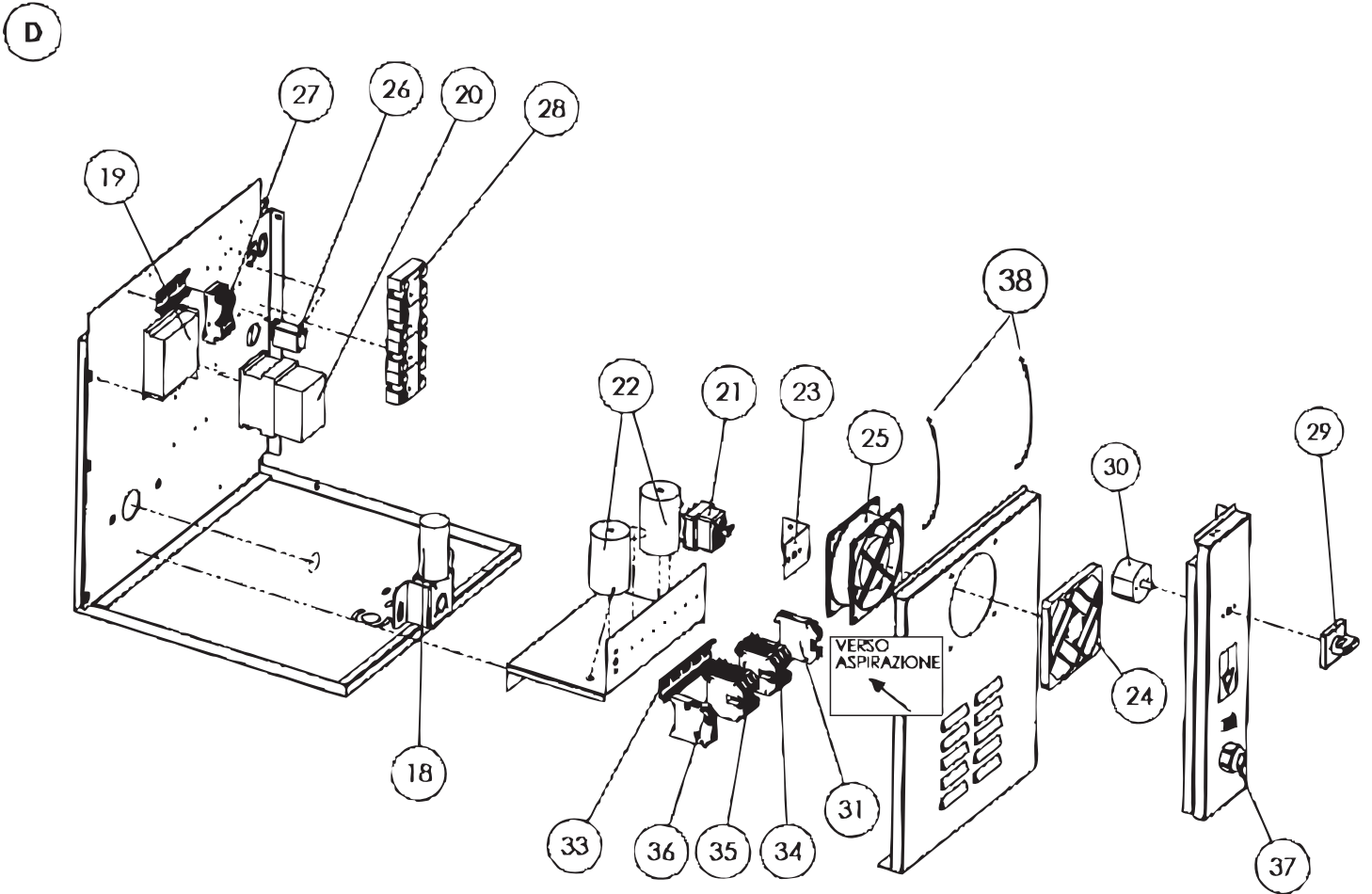
C



Parts Breakdown

Model CE-IT-0500 46725

Electrical Components

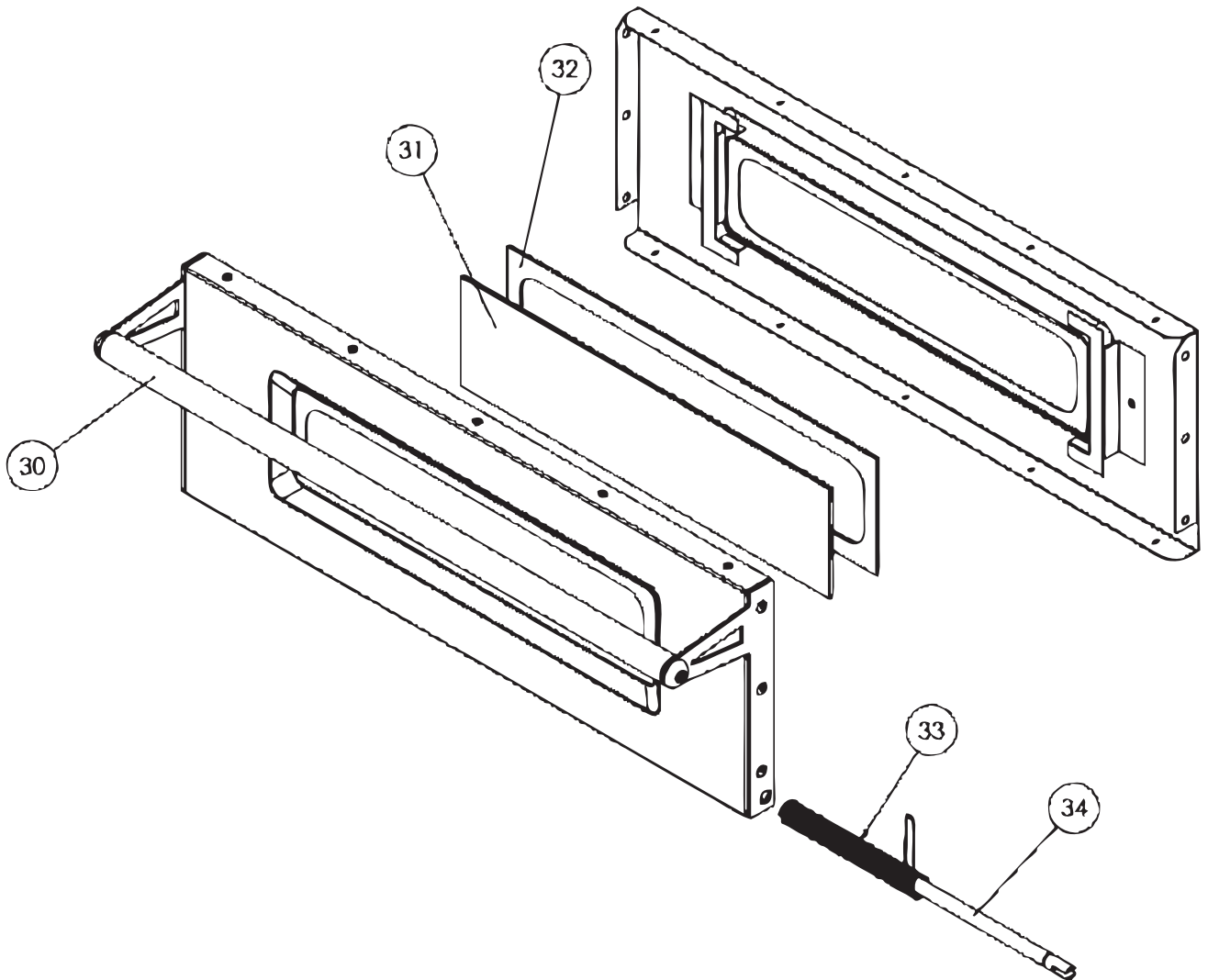


Parts Breakdown

Model CE-IT-0500 46725

Door Assembly

E

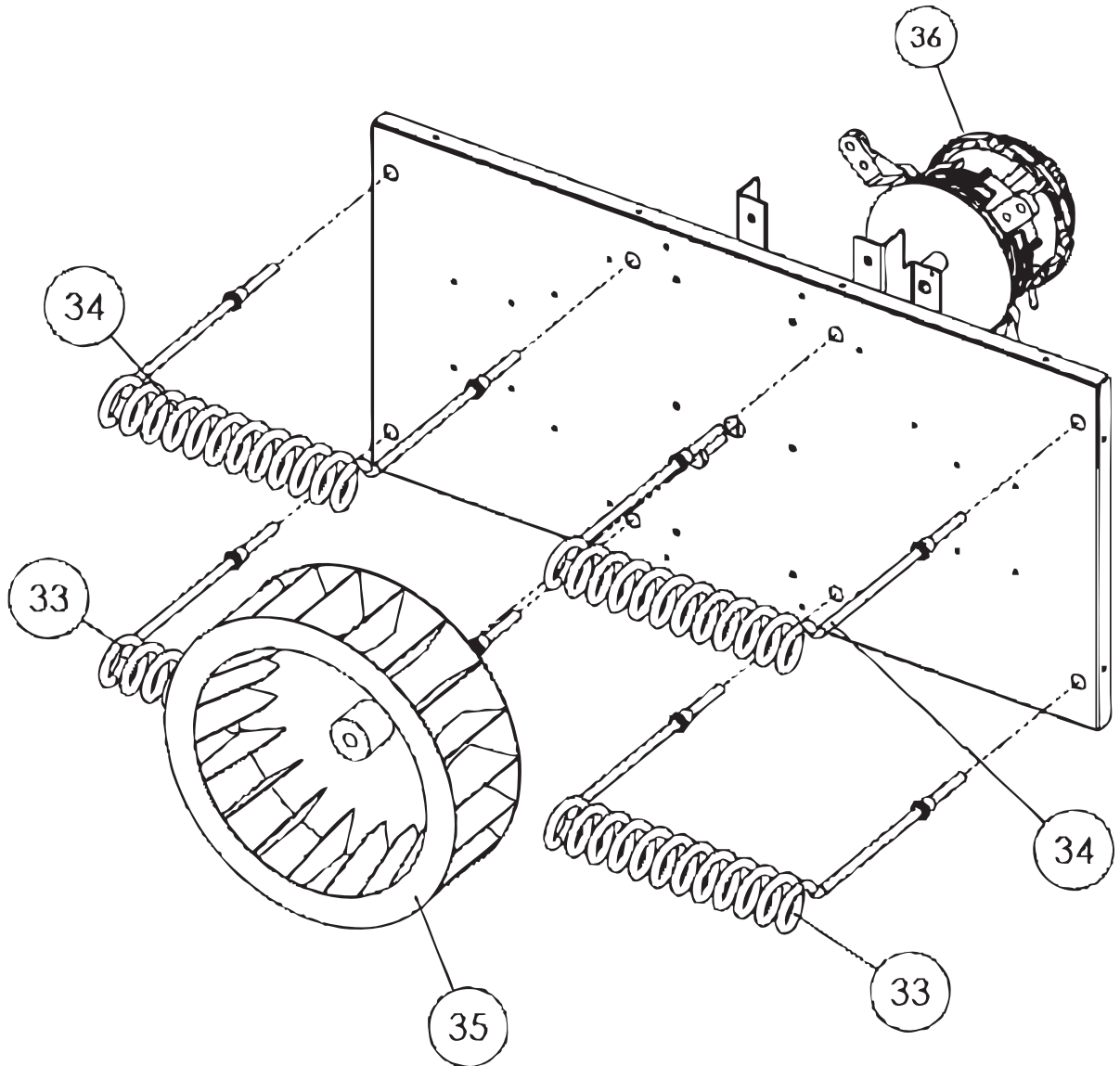


Parts Breakdown

Model CE-IT-0500 46725

Ventilation

F

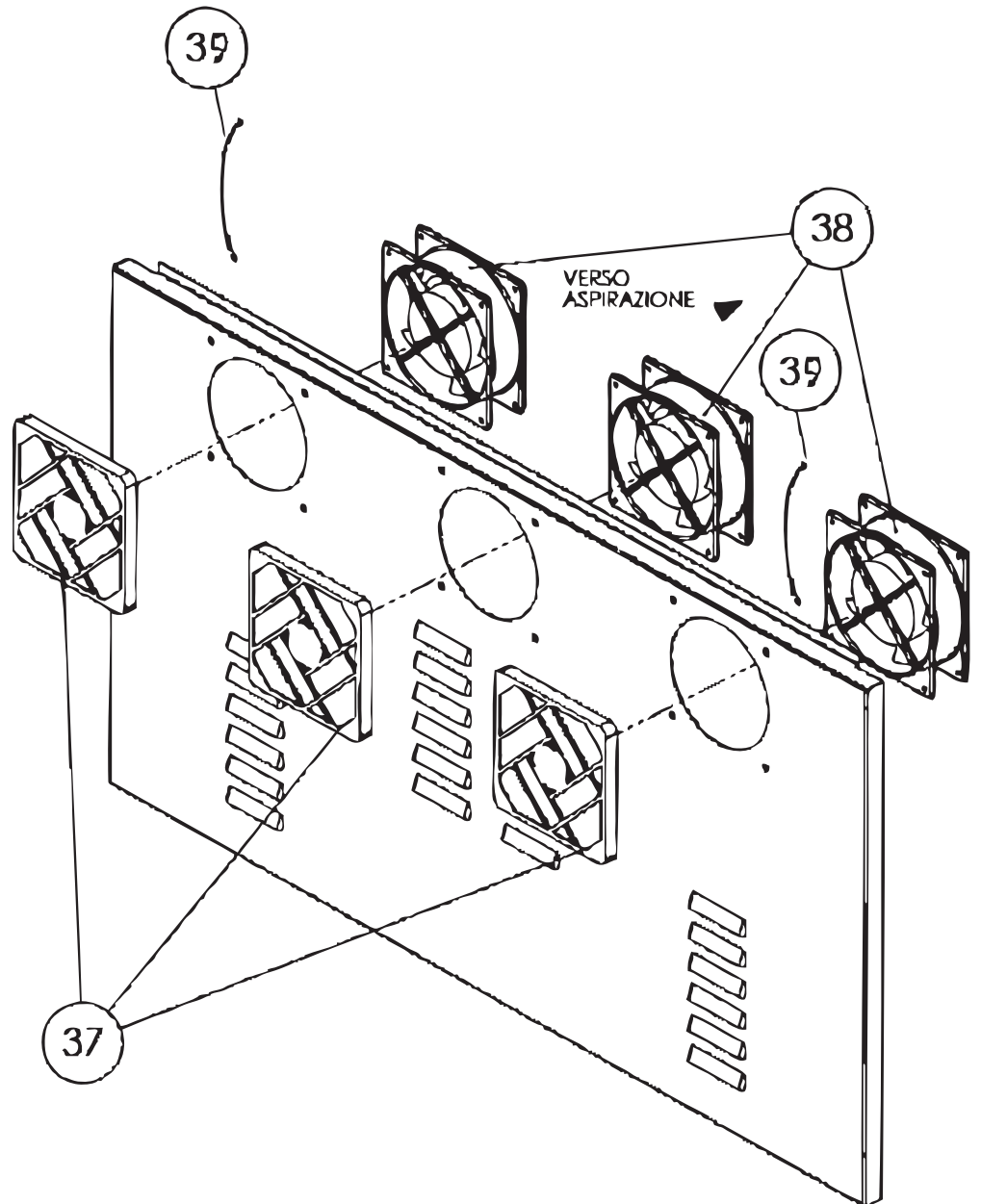


Parts Breakdown

Model CE-IT-0500 46725

Back Panel

G



Parts Breakdown

Model CE-IT-0500 46725

General Assembly

Item No.	Description	Position	Item No.	Description	Position	Item No.	Description	Position
AL738	Wheel without Brake for 46725	1	AL740	Wheel with Brake for 46725	3	AH466	Knob Din 464-M6x16 for 46725	5
AL739	Crancase Motor for 46725	2	AL741	Removable End Plug for 46725	4	AL742	Thermostat Bracket for 46725	6

Conveyor

Item No.	Description	Position	Item No.	Description	Position	Item No.	Description	Position
AH470	Right-Left Tape Closure for 46725	7	AH475	Conveyor Transmission for 46725	14	AL750	Bush Stops Rod for 46725	23
AH472	Right Tray for 46725	8	AH476	Motorgear Transmission for 46725	15	AL751	Right Tensioner Plate for 46725	24
AH471	Left Tray for 46725	9	AH469	Bush I10xE14x14 for 46725	17	AL752	Left Tensioner Plate for 46725	25
AH466	Knob Din 464-M6x16 for 46725	10	AL746	Rotation Rod for 46725	18	AH467	Stainless Steel Conveyor Belt for 46725	28
AL743	Roller for 46725	11	AL747	Traction Rod for 46725	19	AL753	Conveyor Belt for 46725	29
AL744	Needle Roller for 46725	12	AL748	Conveyor Tensioner for 46725	20	AK377	Complete 50 Tunnel Tape Assembly for 46725	
AL745	Cogwheel for 46725	13	AL749	Bronze Bushing Base for 46725	22			

Control Panel

Item No.	Description	Position	Item No.	Description	Position
AL754	Display Gasket for 46725	14	AH478	LCD 7" Touchscreen Display for 46725	16
AL755	Controls Panel for 46725	15	AH479	Control Power Board for 46725	17

Electrical Components

Item No.	Description	Position	Item No.	Description	Position	Item No.	Description	Position
AH481	Transformer 220V/24VDC 35W for 46725	18	AH488	Relay 24V for 46725	26	AL762	Beige Clamp for 46725	35
AH480	Tape Motorgear for 46725	19	AH489	Relay Holder for 46725	27	AL763	Cover Clamp for 46725	36
AL756	Contactora for 46725	20	AH490	SSR Relay for 46725	28	AL764	Cable Gland for 46725	37
AL757	Safety Thermostat for 46725	21	74760	Grey Plate/Black Knob 48x48 for Giovenzana Mainswitch 16/32 A for 46725	29	AL765	Lock Nut for 46725	37
AH485	Threephases Filter EMC for 46725	22	42035	16A Actuator P0160004R001 4-Polar Switch for 46725	30	AL766	Cord for Panels for 46725	38
AL742	Thermostat Bracket for 46725	23	AL759	Green-Yellow Clamp for 46725	31	AL767	Electrical System for 46725	
AL758	Protection Fan for 46725	24	AL760	Bar L=120mm for 46725	33			
AH487	Fan 230V 50/60Hz 120x120 for 46725	25	AL761	Blue Clamp for 46725	34			

Parts Breakdown

Model CE-IT-0500 46725

Door Assembly

Item No.	Description	Position	Item No.	Description	Position	Item No.	Description	Position
AL768	Handle Ensemble for 46725	30	76609	Joint Entry for 46725	32	AL769	Pin for Spring for 46725	34
41771	Glass Door for 46725	31	43659	Door Spring for 46725	33	AL770	Door Ensemble for 46725	

Ventilation

Item No.	Description	Position	Item No.	Description	Position	Item No.	Description	Position
AH493	Heating Element 230V 2800W for 46725	33	AH495	Radial Fan (VRD 0300-100BD20P) 300 for 46725	35	AL771	Ventilation Ensemble for 46725	
AH494	Heating Element 230V 4100W for 46725	34	AH496	Motor Fan for 46725	36			

Back Panel

Item No.	Description	Position	Item No.	Description	Position	Item No.	Description	Position
AL758	Protection Fan for 46725	37	AH487	Fan 230V 50/60Hz 120x120 for 46725	38	AL766	Cord for Panels for 46725	39